

# Automated Pharmaceutical Dispensing Machine Structural Support Frame



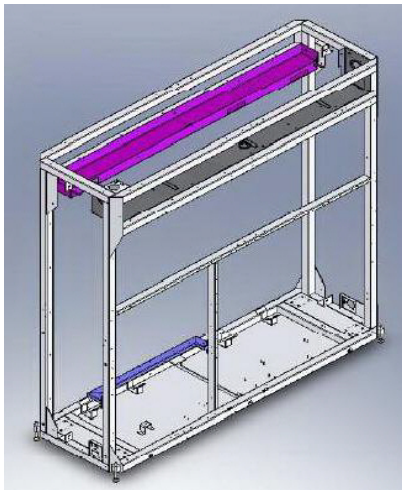
This finished product is used in a pharmaceutical environment to automate dispensing of pills enabling pharmacist to spend more time with patients.

## Challenges:

- Client requires 0.050” tolerance across the diagonal mounting points and 0.030” position tolerance on all hole locations.
- Horizontal “location” Beam (middle of frame) to be within 1 degree of twist.
- Welding to AWS D1.1 Specifications
- Appliance white powder coat finish

## Solutions:

- Shipped on skid for ease of assembly on production line
- All Components are fixtured for welding operations; we reduced welding to control distortion
- We worked with the client’s engineers to reduce cost, streamline the design and support DFM.
- Required special tooling fixture and process solutions to hold the frame’s very tight tolerance.



**Lupton Associates** offers the proven ability to provide integrated solutions that meet the demands of design, time to market and product cost objectives.

The solutions we provide include:

- Prototyping
- Stamping
- Metal Fabrication
- Machined Components
- Polymeric Molding
- Electronic Manufacturing Services
- Casting

For more information, please visit [www.luptons.com](http://www.luptons.com).